

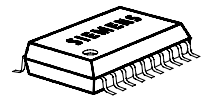
Smart Quad Low-Side Switch

Features

- Shorted circuit protection
- Overtemperature protection
- Overvoltage protection
- Open Load Detection
- Direct parallel control of the inputs
- Inputs high or low active programmable
- General fault flag
- Very low standby quiescent current
- Compatible with 3V microcontrollers
- **Electrostatic discharge (ESD) protection**

Product Summary

Supply voltage	V_S	4.5 – 32	V
Drain source voltage	$V_{DS(AZ)max}$	60	V
On resistance	R_{ON}	1.7	Ω
Output current(each)	$I_{D(NOM)}$	350	mA
	(individ.)	500	mA



P-DSO 20-6

Ordering Code:
Q 67006 A9373

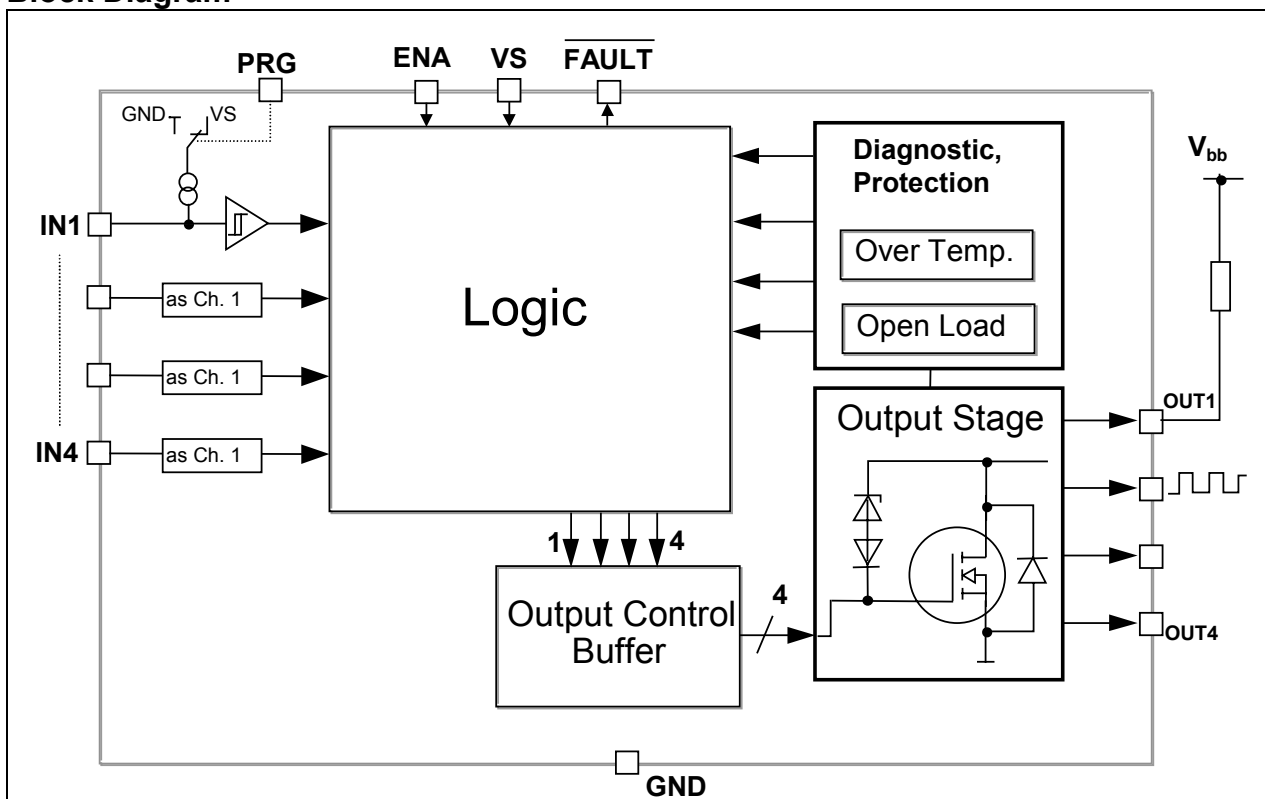
Application

- μC compatible power switch for 12 V applications
- Switch for automotive and industrial systems
- Line, relay or lamp driver

General description

Quad channel Low-Side Switch in Smart Power Technology (SPT) with four separate inputs and four open drain DMOS output stages. The TLE 6225 G is protected by embedded protection functions and designed for automotive and industrial applications, to drive lines, lamps and relays.

Block Diagram



Pin Description

Pin	Symbol	Function
1	IN1	Input Channel 1
2	IN2	Input Channel 2
3	FAULT	General Fault Flag
4	GND	Ground
5	GND	Ground
6	GND	Ground
7	GND	Ground
8	VS	Supply Voltage
9	IN3	Input Channel 3
10	IN4	Input Channel 4
11	ENA	Enable for all channels/Standby
12	OUT4	Power Output channel 4
13	OUT3	Power Output channel 3
14	GND	Ground
15	GND	Ground
16	GND	Ground
17	GND	Ground
18	OUT2	Power Output channel 2
19	OUT1	Power Output channel 1
20	PRG	Program (inputs high or low active)

Pin Configuration (Top view)

IN1	1●	20	PRG
IN2	2	19	OUT1
FAULT	3	18	OUT2
GND	4	17	GND
GND	5	16	GND
GND	6	15	GND
GND	7	14	GND
VS	8	13	OUT3
IN3	9	12	OUT4
IN4	10	11	ENA

P-DSO-20-6

Maximum Ratings for $T_j = -40^{\circ}\text{C}$ to 150°C

Parameter	Symbol	Values	Unit
Supply Voltage	V_S	-0.3 ... +40	V
Continuous Drain Source Voltage (OUT1...OUT4)	V_{DS}	-0.7 ... +45	V
Input Voltage, IN1 - IN4	V_{IN}	- 0.3 ... + 7	V
Input Voltage, PRG, ENA	V_{IN}	- 0.3 ... + 40	V
Output Load Dump Protection $V_{Load\ Dump} = U_P + U_S$; $U_P = 13.5\text{ V}$ With Automotive Relay Load $R_L = 70\ \Omega$ $R_l^{1)} = 2\ \Omega$; $t_d = 400\text{ms}$; IN = low or high	$V_{Load\ Dump}^{2)}$	75	V
FAULT Output Voltage	V_{Fault}	- 0.3 ... + 40	V
Operating Temperature Range	T_j	- 40 ... + 150	$^{\circ}\text{C}$
Storage Temperature Range	T_{stg}	- 55 ... + 150	
Output Current per Channel (see electrical characteristics)	$I_{D(lim)}$	self limited	A
Output Clamping Energy $I_D = 0.2\text{ A}$	E_{AS}	10	mJ
Power Dissipation (DC) @ $T_A = 25\ ^{\circ}\text{C}$ (on PCB 6 cm^2 cooling area)	P_{tot}	2.5	W
Electrostatic Discharge Voltage (Human Body Model) according to MIL STD 883D, method 3015.7 and EOS/ESD assn. standard S5.1 - 1993	V_{ESD}	2000	V
DIN Humidity Category, DIN 40 040		E	
IEC Climatic Category, DIN IEC 68-1		40/150/56	
Thermal Resistance			
junction - pin	R_{thJP}	23	K/W
junction - ambient @ min. footprint	R_{thJA}	80	
junction - ambient @ 6 cm^2 cooling area	R_{thJA}	45	

¹⁾ R_l = internal resistance of the load dump test pulse generator LD200

²⁾ $V_{LoadDump}$ is setup without DUT connected to the generator per ISO 7637-1 and DIN 40 839.

Electrical Characteristics

Parameter and Conditions $V_S = 4.5$ to 32 V ; $T_J = -40$ °C to $+150$ °C (unless otherwise specified)	Symbol	Values			Unit
		min	typ	max	

1. Power Supply

Supply Voltage	V_S	4.5		32	V
Supply Current (ENA = H, Outputs ON)	$I_{S(ON)}$		1	2	mA
Supply Current in Standby Mode (ENA = L)	$I_{S(stby)}$			10	μ A

2. Power Outputs

ON Resistance $V_S \geq 6$ V ; $I_D = 300$ mA	$T_J = 25^\circ\text{C}$ $T_J = 150^\circ\text{C}$	$R_{DS(ON)}$		1.7 3	2 3.6	Ω
Output Clamping Voltage	Output OFF	$V_{DS(AZ)}$	45	50	60	V
Current Limit		$I_{D(lim)}$	500	750	1000	mA
Output Leakage Current	$V_{ENA} = L$	$I_{D(lkg)}$			5	μ A
Turn-On Time	$I_D = 200$ mA, resistive load	t_{ON}		5	10	μ s
Turn-Off Time	$I_D = 200$ mA, resistive load	t_{OFF}		5	10	μ s

3. Digital Inputs (IN1 – IN4, ENA, PRG)

Input Low Voltage (IN1 – IN4, PRG)		V_{INL}	- 0.3		1	V
Input Low Voltage (ENA)		V_{INL}	- 0.3		0.8	V
Input High Voltage		V_{INH}	2.0			V
Input Voltage Hysteresis (IN1 – IN4, PRG)		V_{INHys}	50	100		mV
Input Voltage Hysteresis (ENA)		V_{INHys}	20	100		mV
Input Pull Up Current (IN1...IN4) @ PRG = L, $V_{IN} = 0$ V		$I_{IN(1..4)PU}$	20	50	100	μ A
Input Pull Down Current (IN1...IN4) @ PRG = H, $V_{IN} < V_S$; $V_{IN} < 6$		$I_{IN(1..4)PD}$	20	50	100	μ A
PRG, ENA Pull Down Current	$V_{IN} = 5$ V	$I_{IN(PRG,ENA)}$	20	50	100	μ A
PRG, ENA Pull Down Current	$V_{IN} = 14$ V	$I_{IN(PRG,ENA)}$			200	μ A

4. Digital Output ($\overline{\text{FAULT}}$)

$\overline{\text{FAULT}}$ Output Low Voltage	$I_{\overline{\text{FAULT}}} = 1.6$ mA	$V_{\overline{\text{FAULTL}}}$			0.4	V
--	--	--------------------------------	--	--	-----	---

5. Diagnostic Functions

Open Load/Short to Ground Detection Voltage		$V_{DS(OL)}$	$0.4 \cdot V_S$	$0.5 \cdot V_S$	$0.6 \cdot V_S$	V
Output Pull Down Current		$I_{PD(OL)}$	20	50	200	μ A
Fault Delay Time; $V_S = 12$ V		$t_d(\text{fault})$	50	100	200	μ s
Overtemperature Shutdown Threshold		$T_{th(sd)}$	170		200	$^\circ\text{C}$
Hysteresis		T_{hys}		10		K

Diagnostic Table

Operating Condition	Enable Input	Program Input	Control Input	Power Output	Diagnostic Output
	ENA	PRG	IN	OUT	FAULT
Standby	L	X	X	OFF	H
Normal function	H	L	L	ON	L
	H	L	H	OFF	L
	H	H	L	OFF	H
	H	H	H	ON	H
Overtemperature	H	L	L	OFF *	H
	H	H	H	OFF *	L
Open load or short to ground	H	L	L	ON	L
	H	L	H	OFF	H
	H	H	L	OFF	L
	H	H	H	ON	H

X = not relevant

*selective thermal shutdown for each channel at overtemperature

Fault Distinction

Open load/short to ground is recognised in OFF-state. Overtemperature as a result of an overload or short to battery can only arise in ON-state. If there is only one fault at a time, it is possible to distinguish which channel is affected with which fault.

Typical electrical Characteristics

Drain-Source on-resistance

$$R_{DS(ON)} = f(T_j) ; V_s = 5V$$

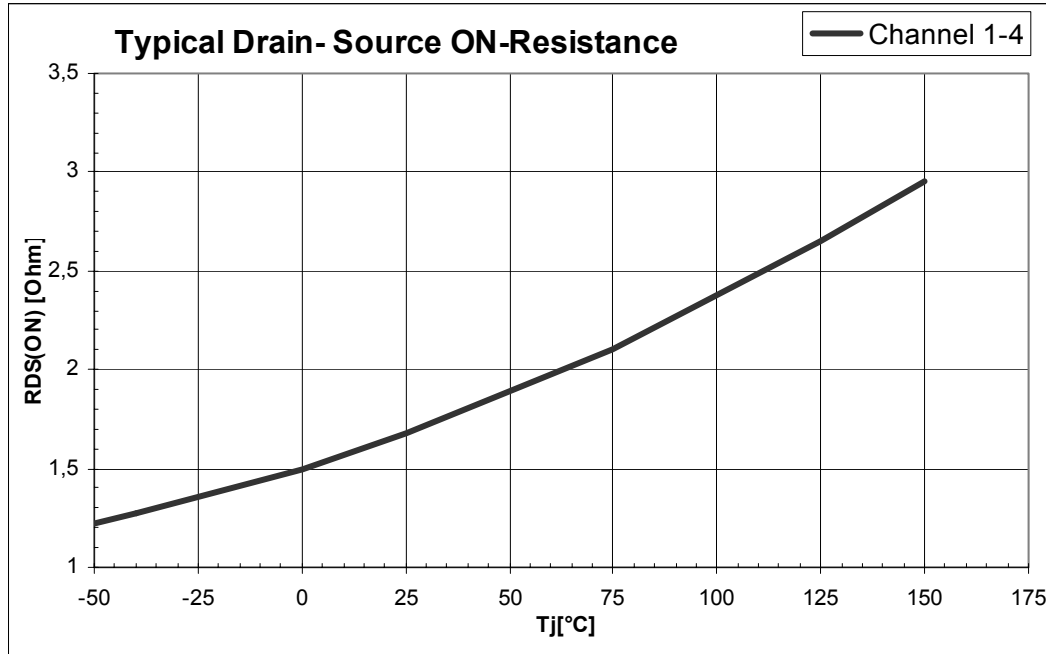


Figure 6 : Typical ON Resistance versus Junction-Temperature
Channel 1-4

Output Clamping Voltage

$$V_{DS(AZ)} = f(T_j) ; V_s = 5V$$

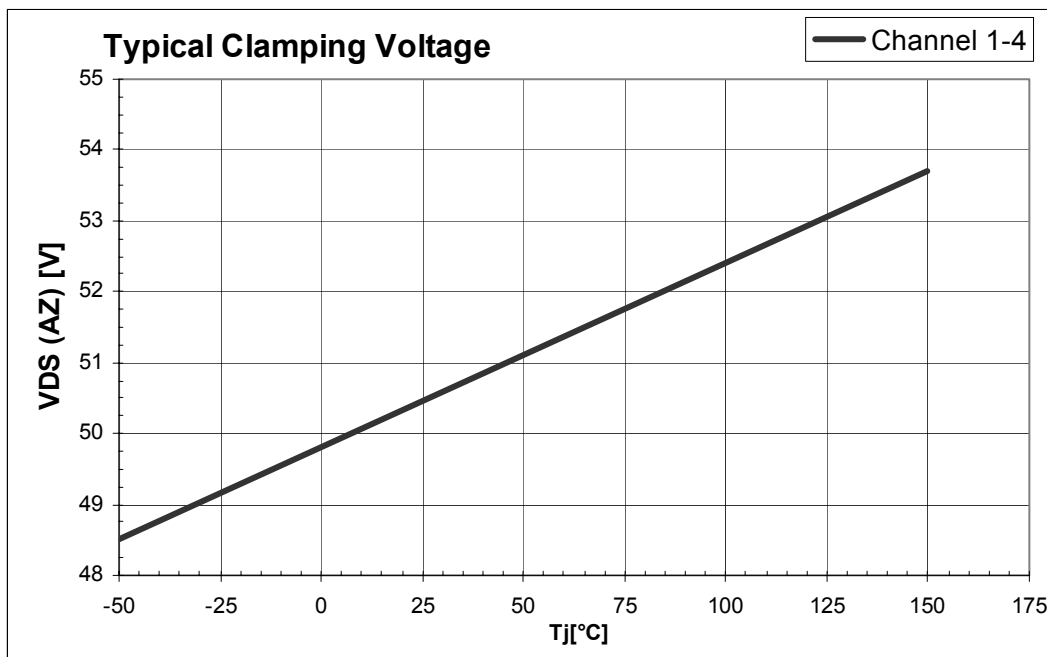
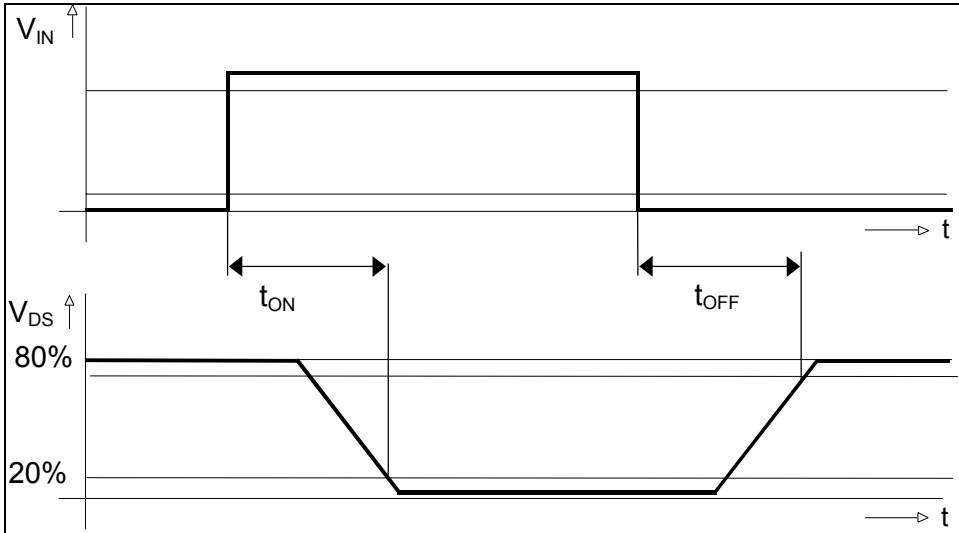


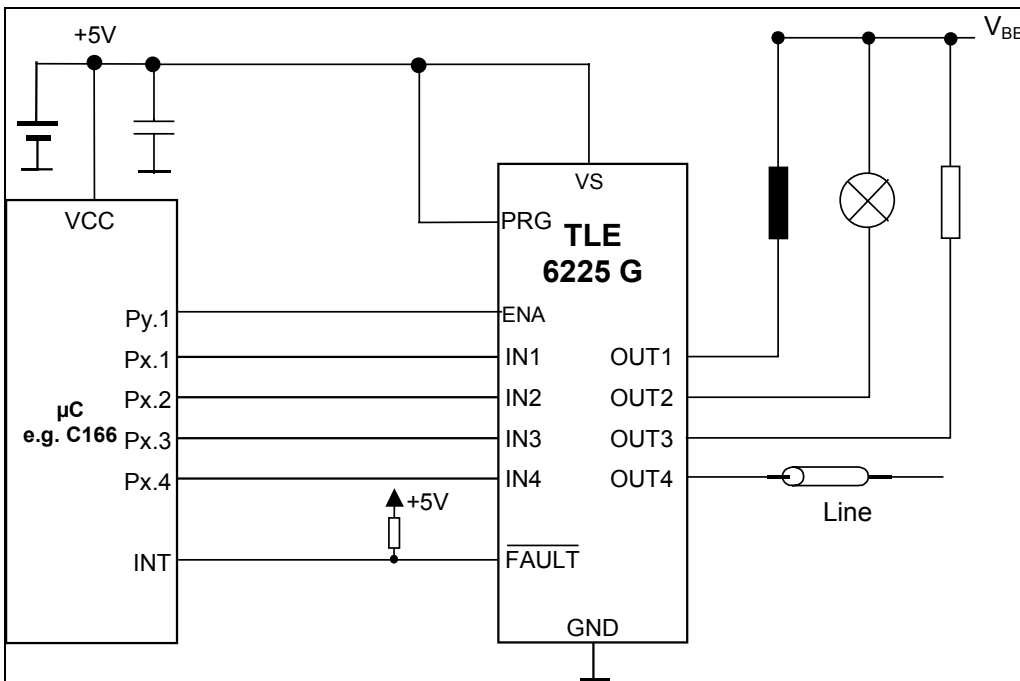
Figure 7 : Typical Clamp Voltage versus Junction-Temperature
Channel 1-4

Timing Diagrams

Power Outputs



Application Circuit



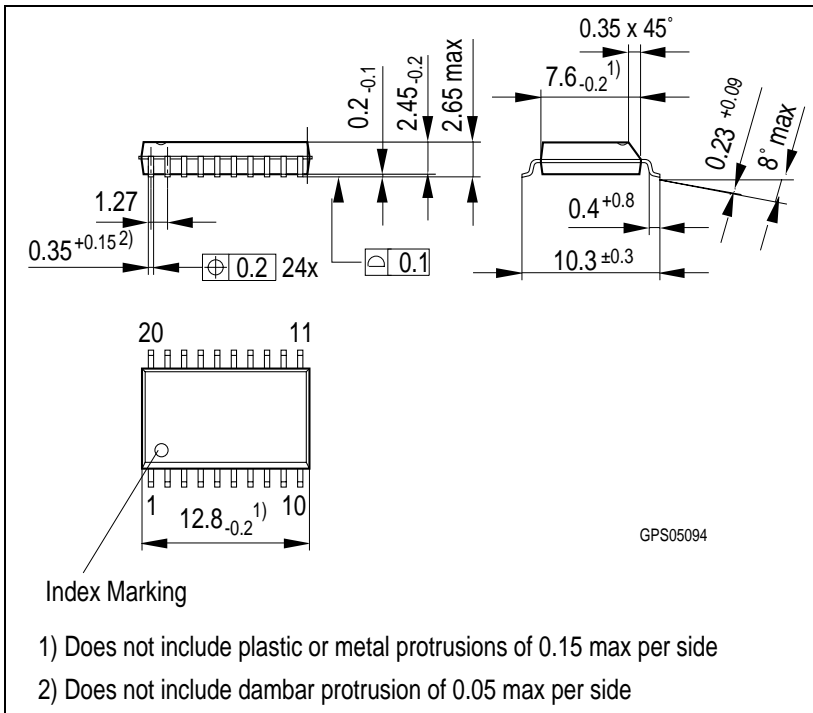
Package and ordering code

all dimensions in mm

P - DSO - 20 - 6

Ordering code

TLE 6225 G	Q 67006 A9373
------------	---------------



Published by
Infineon Technologies AG,
Bereichs Kommunikation
St.-Martin-Strasse 76,
D-81541 München
 © Infineon Technologies AG 1999
All Rights Reserved.

Attention please!

The information herein is given to describe certain components and shall not be considered as warranted characteristics.

Terms of delivery and rights to technical change reserved.

We hereby disclaim any and all warranties, including but not limited to warranties of non-infringement, regarding circuits, descriptions and charts stated herein.

Infineon Technologies is an approved CECC manufacturer.

Information

For further information on technology, delivery terms and conditions and prices please contact your nearest Infineon Technologies Office in Germany or our Infineon Technologies Representatives worldwide (see address list).

Warnings

Due to technical requirements components may contain dangerous substances. For information on the types in question please contact your nearest Infineon Technologies Office.

Infineon Technologies Components may only be used in life-support devices or systems with the express written approval of Infineon Technologies, if a failure of such components can reasonably be expected to cause the failure of that life-support device or system, or to affect the safety or effectiveness of that device or system. Life support devices or systems are intended to be implanted in the human body, or to support and/or maintain and sustain and/or protect human life. If they fail, it is reasonable to assume that the health of the user or other persons may be endangered.